

# MODCON<sup>®</sup> CAT6<sub>A</sub> TOOLLESS FIELD PLUG

**INELCO<sup>®</sup>**  
THE DISTINCTION

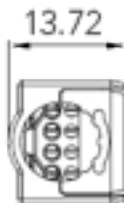
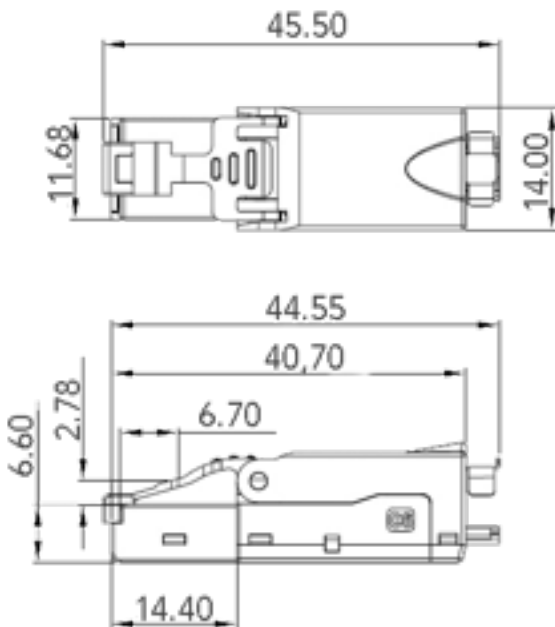
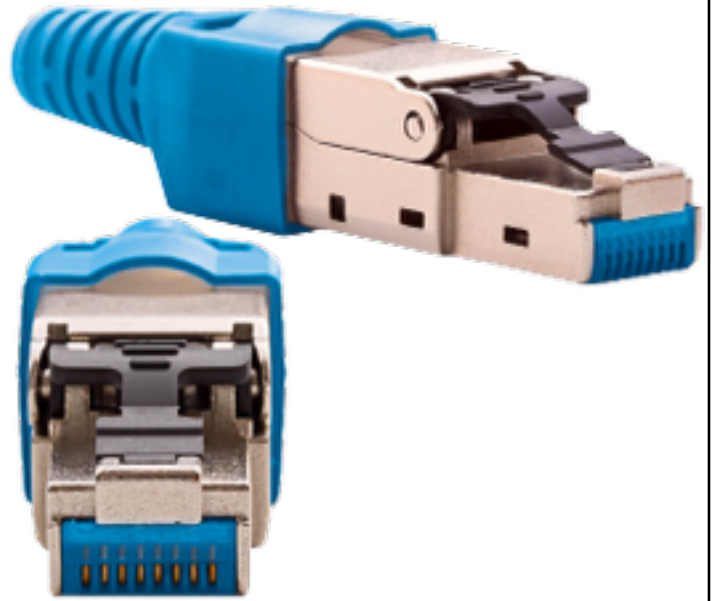


INELCO's modcon<sup>®</sup>CAT6<sub>A</sub> toolless Class EA Field Termination modular plug is an easy-to-assemble keystone plug, which doesn't require any special tooling. The optimized design enables installer to terminate in the field. The module was developed for all kind of Ethernet CAT6<sub>A</sub> applications, especially. Its 360° die cast housing ensures a fully shielded environment.

**PART-NO.:** **PSFTEX6**

X = A= CAT6<sub>A</sub>

X = C = CAT6



**Specifications**

Comply with IEC 60603-7-5  
 Plug Housing: Zinc Alloy  
 Plug Pins: Phosphor bronze w 50u" gold plating  
 Durability: 750 mechanical cycles  
 Current rating: 1.5A  
 Dielectric withstanding voltage: 1000V DC  
 Insulation resistance: 500M Ω MIN.  
 Contact resistance: 20m Ω MAX

**Features**

Transmission performance: Cat.6A /Class EA  
 Wiring label: TIA 568A/B & PNO  
 Termination capability:  
     22~26 AWG solid wire  
     22 ~27 AWG stranded wire  
 Re-termination capability: 5 times  
 Supporting cable diameter: 6~9mm