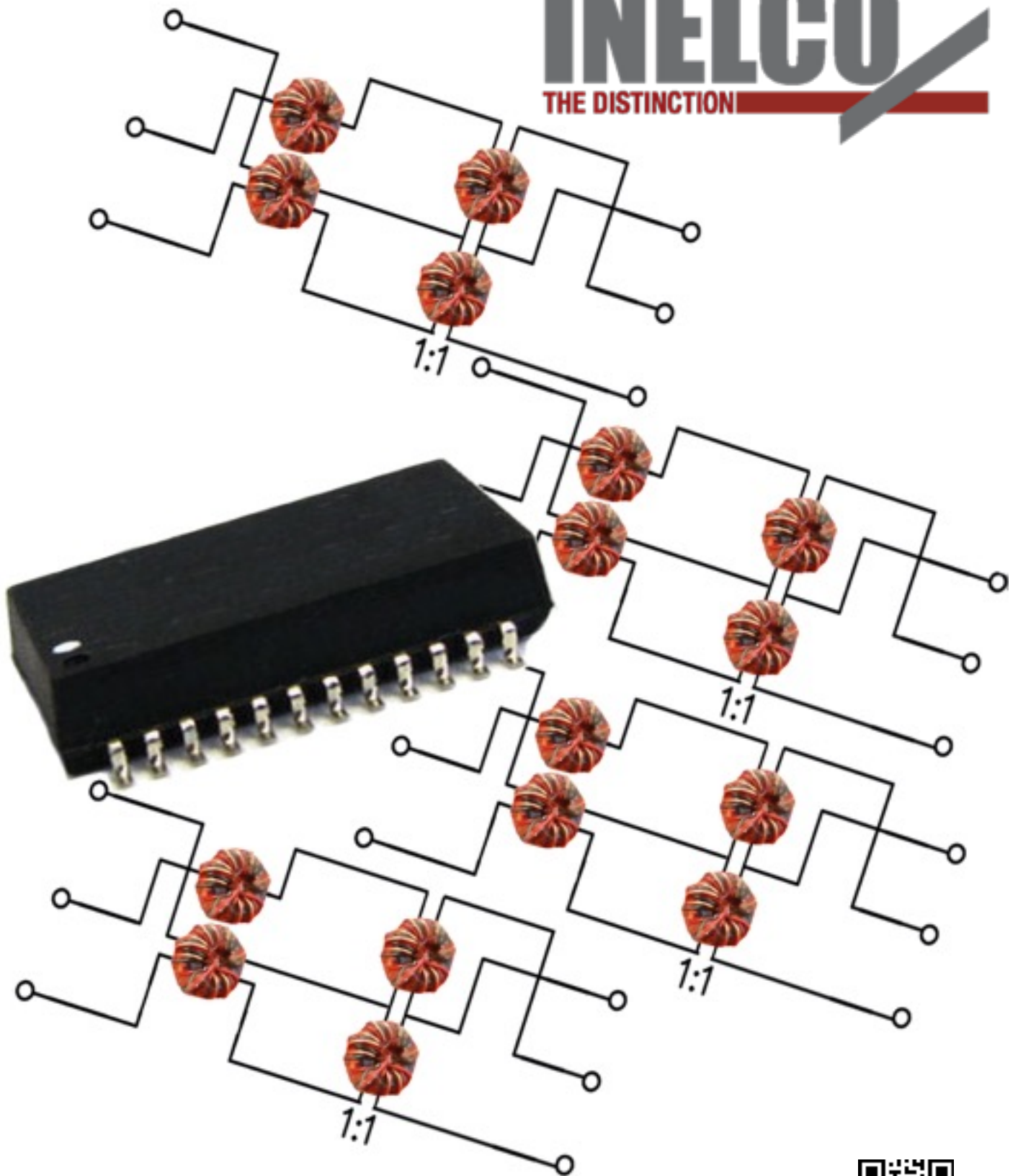


DISCOM[®] DISCRETE COMPONENTS

INELCO[®]
THE DISTINCTION



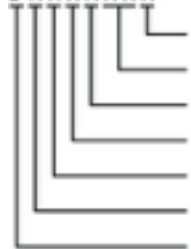
INELCO's discom[®] products are designed to meet all important Standards:

- Suitable for both LAN and Telecom applications
- Filter common mode noise for EMI reduction
- Available packaging in SMT and thru hole.



Discom Part Numbers

D X X X X X X X



For Specials only: e.g. Packaging, Print D/C
Circuit Type: 1 - 20
S: Single Port, D: Double Port, Q: Quad Port
0: without Poe, 1: Poe, 2: Poe+, 3: Poe++
A: 100 Mbit/s, B: 1 Gbit/s, C: 10 Gbit/s
T: Telecom, L: Lan
D: Discom

SMT 10/100 Base-T SMT

10/100 Base-T QuadPort



1000 Base-T



PoE



lan magnetics

INELCO is a leading developer for high quality, cost competitive Local Area Network interface modules. The LAN components are available in various package styles to accommodate most specifications.

10/100/1000/10G Base T/ PoE

- Support 1:1 Turns Ration Transceivers compliant with IEEE 802.3ab
- Cable interface for isolation and low common mode emissions
- Available in single and quad port modules

10/100Base T

- Designed for Auto MDI/MDIX applications
- Available at single, dual and quad port modules
- Match with leading transceiver IC's

telecom magnetics

INELCO is a quality manufacturer and provider for best known telecommunication magnetic interface modules.

xDSL Transformers

ADSL, HDDSL, VDSL, G.SHDSL

Designed for long haul and short haul application

T1/E1, T3/E3, ISDN

Designed to meet CCITT & FCC requirements
Provide 1500Vrms isolation

ADSL

VDSL SMT

VDSL THR



HF Telecom

SHDSL line

SHDSL line



common mode choke

inductor

T1/E1 single port

