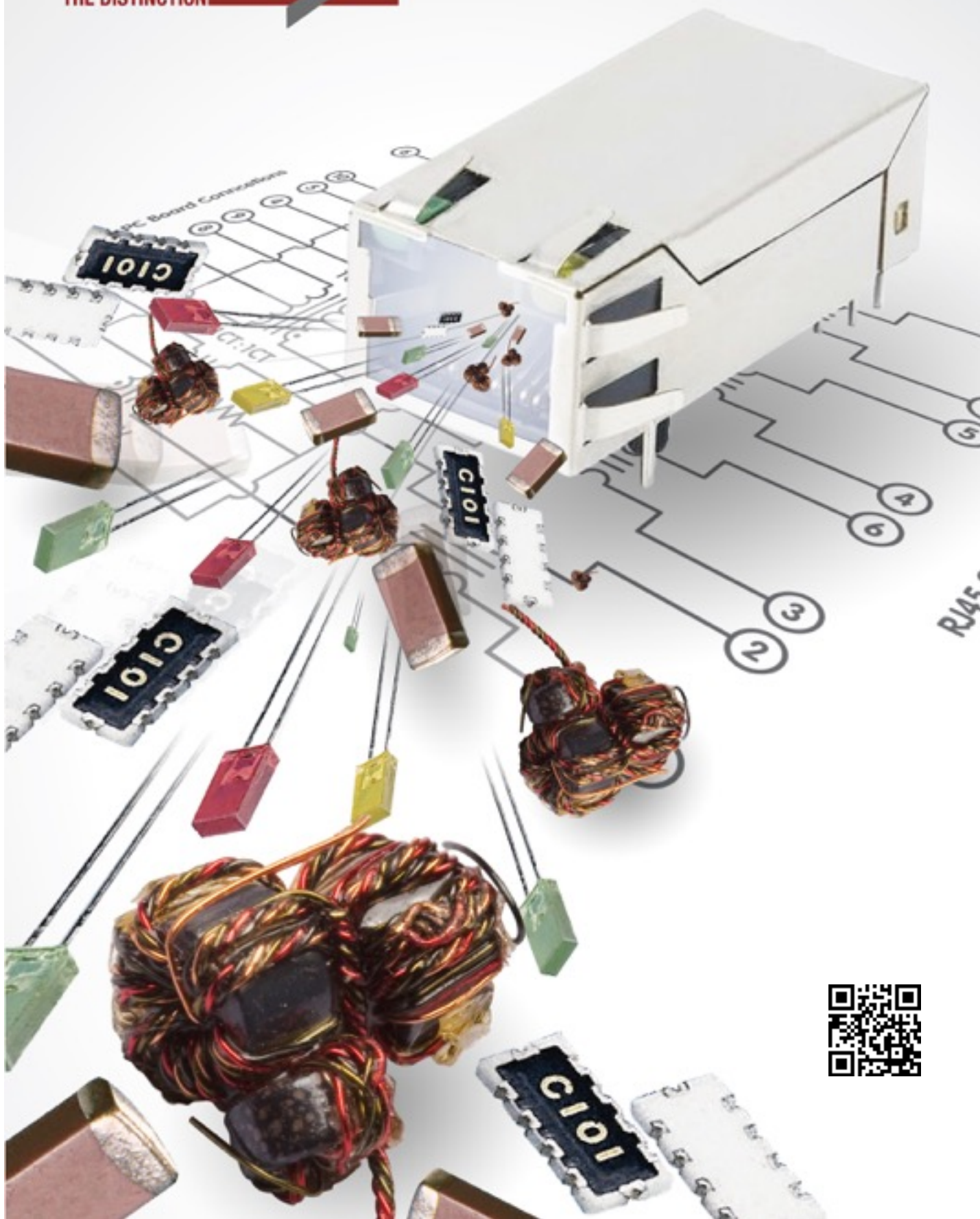


# intrajack® - INtegrated TRAnsformer JACK

**INELCO**<sup>®</sup>  
THE DISTINCTION



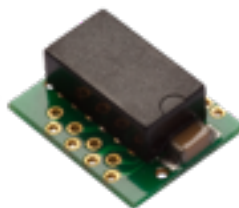
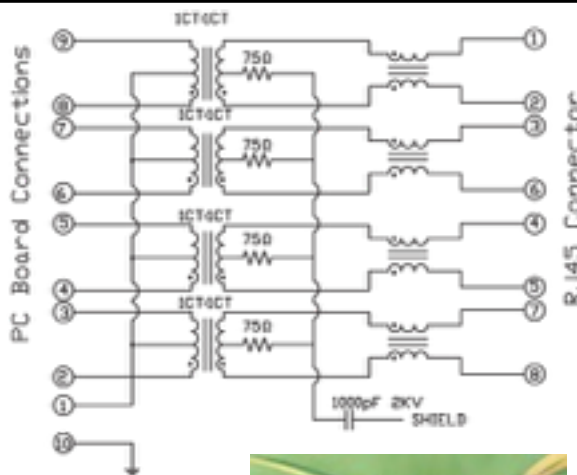
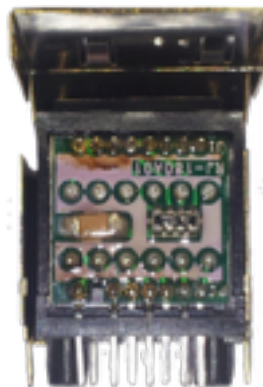
**intrajack® = Integrated LAN Transformer Modules enclosed within standardized RJ45 Connectors.**

**Components integrated:**

- ▶ Caps
- ▶ Transformer module
- ▶ Light Emitting Diodes (LED's)

**Features and Advantages**

- ▶ Higher Reliability
- ▶ Reduced EMI Radiation
- ▶ Reduced Board Space
- ▶ Reduced Return Loss
- ▶ Reduced Assembly Cost



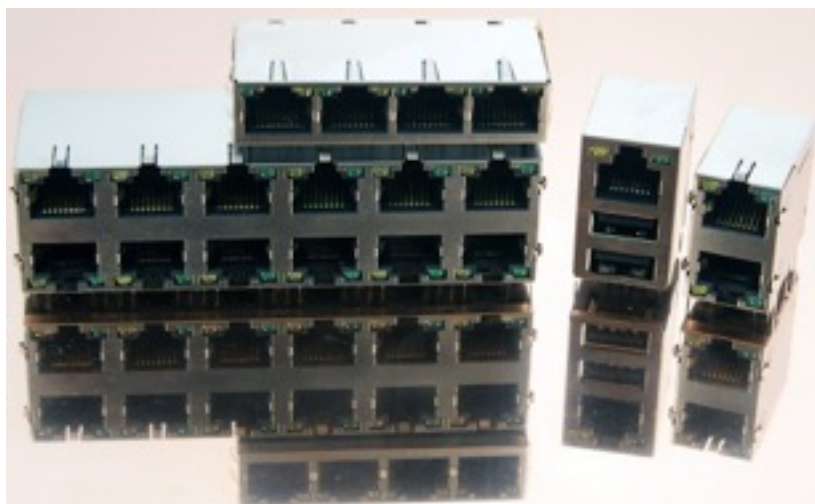
**single port intrajack®**

10/100/1000/10G Base-T/PoE  
Optional LEDs w various color  
Shielded and unshielded  
With or without shielding tabs



**multi port intrajack®**

10/100/1000/10G Base-T/PoE  
Available with 1x2, 1x4, 1x6, 1x8, 2x1, 2x2, 2x4, 2x6, 2x8  
Optional LEDs w various color  
Shielded and unshielded  
With or without shielding tabs  
Passive or integrated magnetics  
Available w single and dual USB  
10/100/1000/10G Base-T/PoE  
Optional LEDs w various color  
With or without shielding tab



**combo intrajack®**

Passive or integrated magnetics  
Available w single and dual USB  
10/100/1000/10G Base-T/PoE  
Optional LEDs w various color  
With or without shielding tabs

