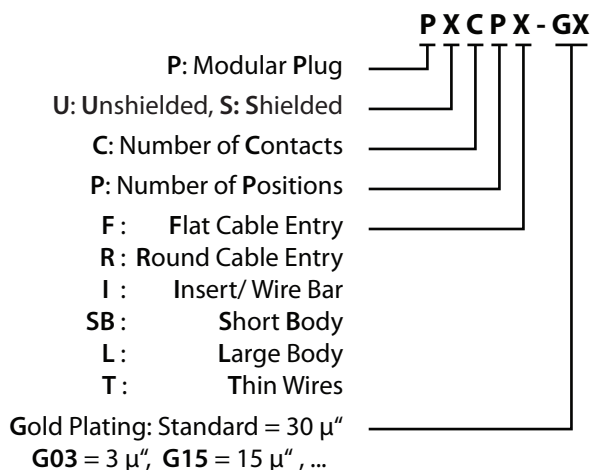
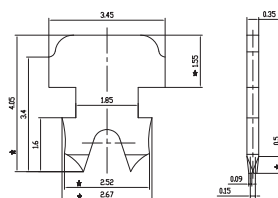


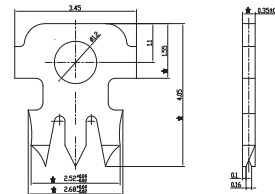
Plugs



standard contact
for stranded wires

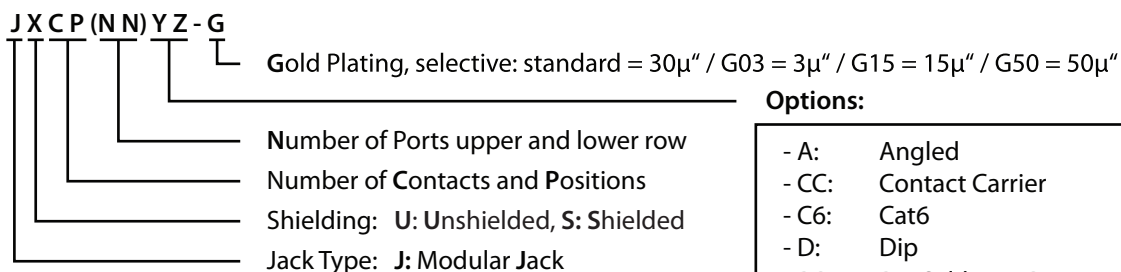


option: contact
for solid wires



hole inside at high speed versions

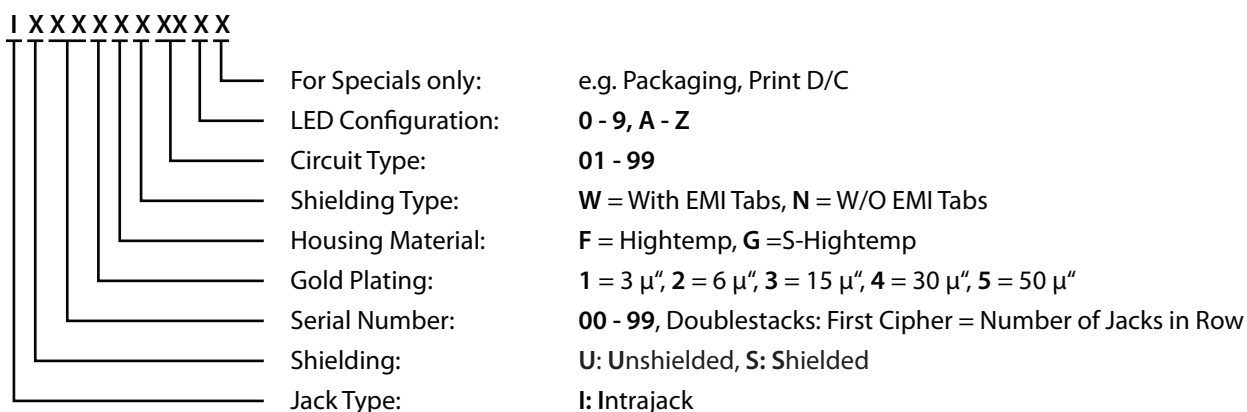
ModJacks



Options:

- A: Angled
- CC: Contact Carrier
- C6: Cat6
- D: Dip
- DP: Dip Soldering Peg
- EDGE: Card Edge
- E5: Cat5e
- FE: Ferrum
- H: Horizontal
- LL: With LEDs
- LP: Low Profile
- LU: Latch Up
- O: High Profile
- PF: Front Peg
- Q: Economy Version
- SB: Short Body
- SMT: Surface Mounted Technology
- SW: Switch
- T6: Enhanced Shield with EMI-Tabs
- V: Vertical (Top Entry)
- W: White
- Z: Press Fit

IntraJacks



Discom

D X X X X X X X

- For Specials only: e.g. Packaging, Print D/C
- Circuit Type: **01 - 20**
- S:** Single Port, **D:** Double Port, **Q:** Quad Port
- 0:** without POE, **1:** POE, **2:** POE+, **3:** POE++
- A:** 100 Mbit/s, **B:** 1 Gbit/s, **C:** 10 Gbit/s
- T:** Telecom, **L:** Lan
- D:** Discom

Keystones & Coupler

X X C P X X X X

- For Specials: e.g. Packaging, Print D/C
- Counter: **A - Z**
- Performance: **C3:** CAT3, **C5:** CAT5, **E5:** CAT5e, **C6:** CAT6, **A6:** CAT6_A
- Number of Contacts and Positions
- Shielding: **U:** Unshielded, **S:** Shielded
- Type: **K:** Keystone **C:** Coupler

USB

XXXX X X X X X X X X - O

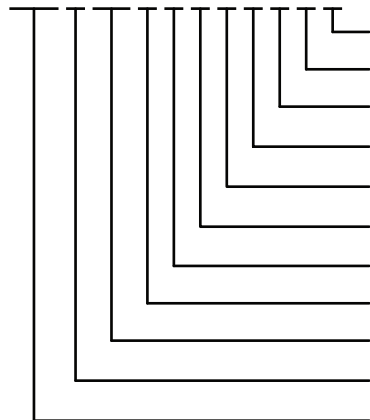
- Options:* *Packing/ Printing, ...*
- Contact Plating Gold* **0 = Flashgold 1 = 3 μ", 2 = 6 μ", 3 = 15 μ", 4 = 30 μ", 5 = 50 μ"**
- Shield Plating* **T: Tin, N: Nickel**
- Shield Material* **C: Copper Alloy, S: Stainless Steel**
- Housing Color* **N: Nature, E: Ebony, W: White, B: Blue**
- Housing Material* **L: LCP, P: PBT, A: ABS, T: PA6T, G: PA9T, F: FR52**
- Version Counter* **1 - 9**
- Mounting on PCB* **H: Horizontal, V: Vertical**
- Type of Connector* **P: Plug**
For Jacks: **T: THT, S: SMT, F: Fasten/ Solder, H: Hybrid**

U	USB
2/ 3	Version (2.0/ 3.0 = 3.1)
A/ B/ C	Type of USB Connector
S/ P/ M/ X/ U/ 1/ 2	Standard/ Powered/ Mini 5 Pin / Mini 10 Pin/ Micro/ Generation

SFP

For Cages Only

SFP X NN X L E H T X X O



Options	i.e. Top Open/ Seal
Gold Plating Contacts	1 = 3 μ", 2 = 6 μ", 3 = 15 μ", 4 = 30 μ", 5 = 50 μ"
Cage Plating	Tin or Nickel
T/ A	Tiny Feet/ Arc Tiny Feet
H	Heat Sink, diff. Heights
F/ G/ C	EMI Fingers/ Elastomeric Gasket/ Clip
L/ I/ A/ B	Light Pipes; Doublestack: Inner/ Outer/ Both
Connection Type	Solder or Press Fit
Number of Rows and Quantity of Ports in each Row	
Component	X: Cage & Connector, C: Cage, J: Connector
Type of SFP	

SFP	SFP (Small Formfactor Pluggable)
SFPP	SFP Plus
QSFP	Quad SFP
QSFP+	Quad SFP Plus
XFP	

Screws

SCREW XX YY Z



Options	
Quantity of Connectors	
Pitch	
Screw-Terminal	

35:	3.50 mm
38:	3.81 mm
45:	4.50 mm
50:	5.08 mm
63:	6.35 mm

PDB/ IDC

PDB X Y (Px)



Y:	Style
X:	Quantity of Connectors
PDB:	PunchDown Block

0:	Straight Contacts (0°)
A:	Angled Contacts (45°)
S:	Stackable Block
B:	Batched Contacts (CAT5e)

IDC110X X: Quantity of Pairs

LSA

XM YY ZZZ (Q) O



O:	Options
R/S:	Round Profile/ Screw fastening
ZZZ:	Silver Plating in μ"
YY:	Quantity of Connectorpairs
CM:	Connection Module
DM:	Disconnection Module
EM:	Earth Rail Module
AM:	Arrestor Magazine
DB:	Distribution Box

Fiber Connectors/ Adaptors

